

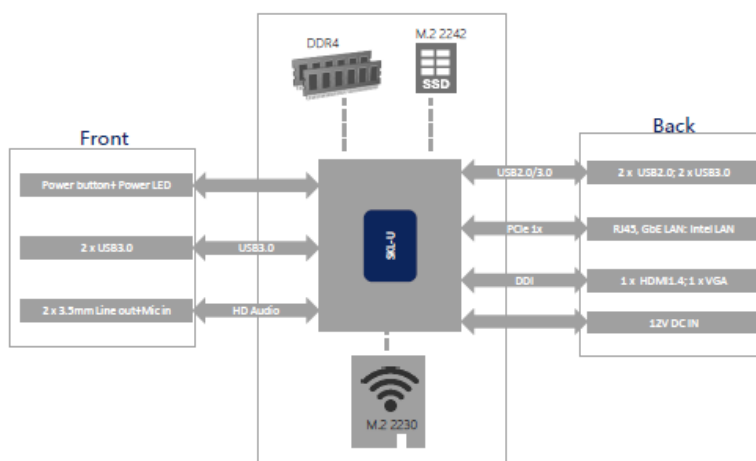


Features

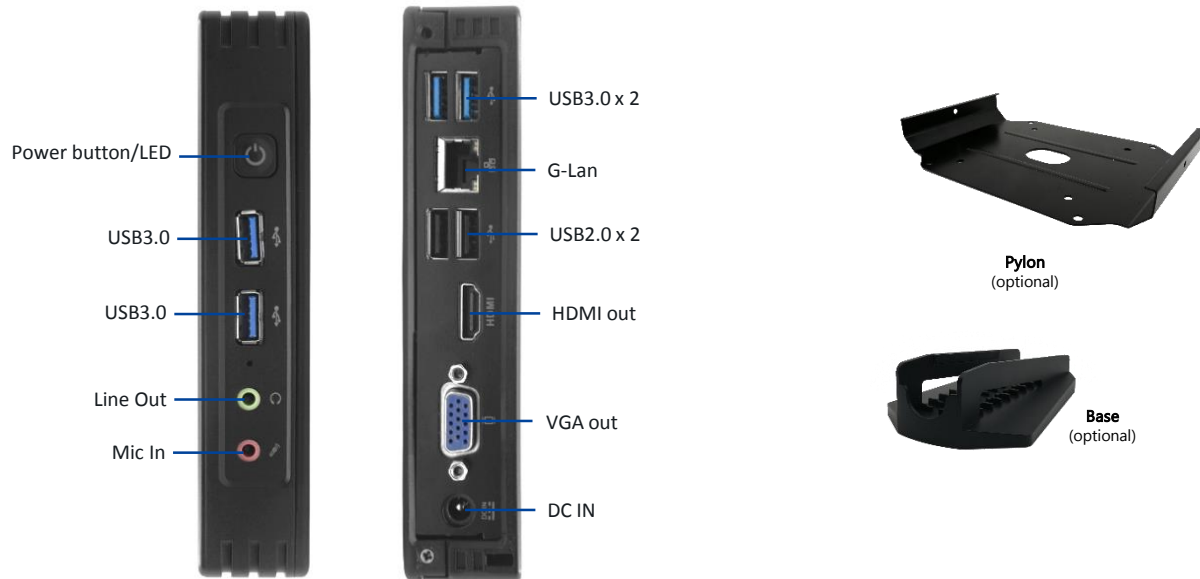
- Intel Skylake-U platform
- Dual display output
- Support M.2 SSD Module
- Support M.2 WiFi/BT Module

Specification

Processor	Intel® Skylake-U SOC , TDP 15W
Memory	1 x DDR4 2133MHz , Max 32GB
Storage	1 x M.2 2242 SSD 1 x SATA3.0
Graphics	Intel® HD Graphics
Wireless	1x M.2 2230 WIFI Module
Network	Realtek Gigabit Ethernet
Audio	Realtek ALC662 HD Audio IC
Front	2 x USB3.0 Type-A 1 x 3.5mm Line out 1 x 3.5mm Mic in 1 x Power button 1 x Power LED
Back	2 x USB3.0 Type-A 2 x USB2.0 Type-A 1 x RJ45 Dual Gigabit LAN 1 x HDMI 1.4 out, 4K/24Hz 1 x VGA out , 1080P 1 x DC Jack
Power input	12V-5A DC IN
AMT	NA
Watchdog	Support
Material	ABS resin + EMI shield
Dimensions	154(L) x 120(W) x 30(H) mm
Temperature	Operating -5°C~45°C Storage -20°C~70°C
Relative humidity	10%~95% (non-condensing)
Net Weight	0.47kg



I/O & Accessories



Ordering Information

Number	Description
Z055V-SUB4N32	Intel Celeron 3855U, 4G DDR4, 32G SSD, Intel AC3165 WIFI Module
Z055V-SUB4N128	Intel Core i3-6100U, 4G DDR4, 128G SSD, Intel AC3165 WIFI Module
Z055V-SUB8N128	Intel Core i3-6100U, 8G DDR4, 128G SSD, Intel AC3165 WIFI Module

Simple manual

Number	Description
Power cable	1
CD Driver	1
Simple manual	1
Power Adapter	1
Base	Optional
Pylon	Optional



IoT Solutions Alliance



JWIPC官网二维码
感谢您的关注！